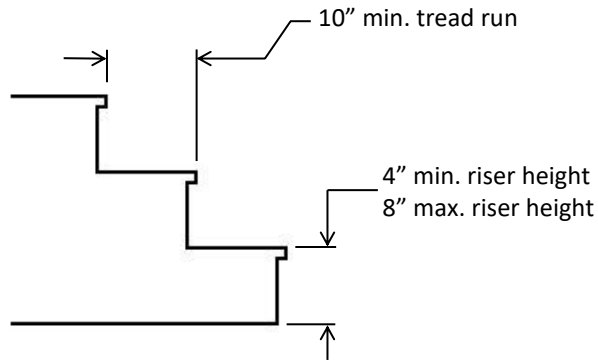




MOBILE HOME STEP STANDARDS

The openings between intermediate rails in open-type railings shall be no more than 4".

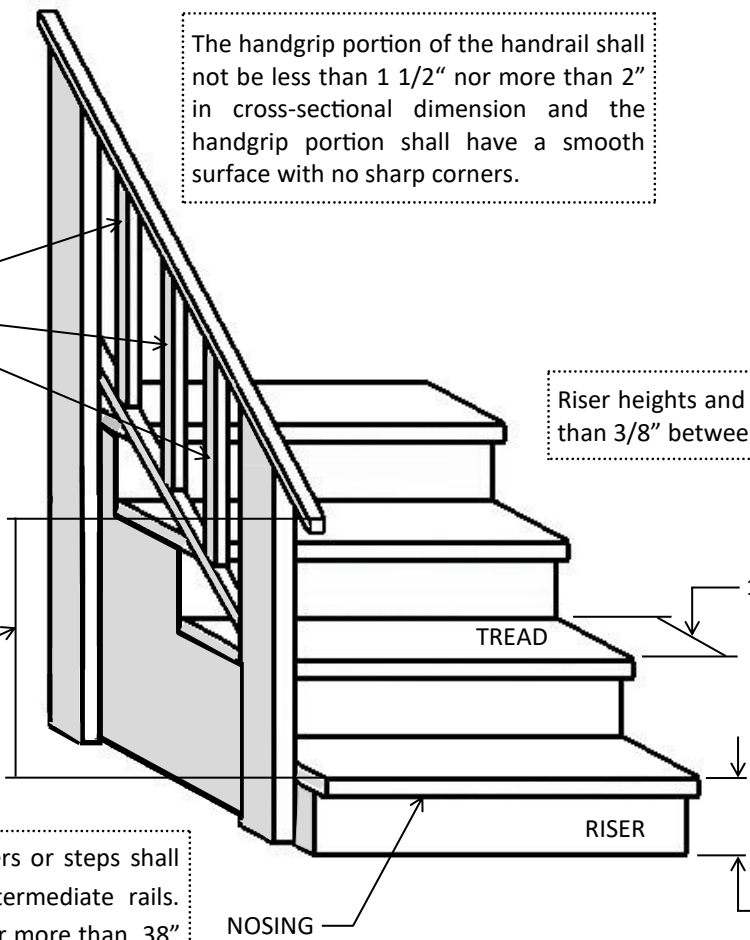
The handgrip portion of the handrail shall not be less than 1 1/2" nor more than 2" in cross-sectional dimension and the handgrip portion shall have a smooth surface with no sharp corners.



Riser heights and tread runs shall not vary more than 3/8" between any step of the stairway.

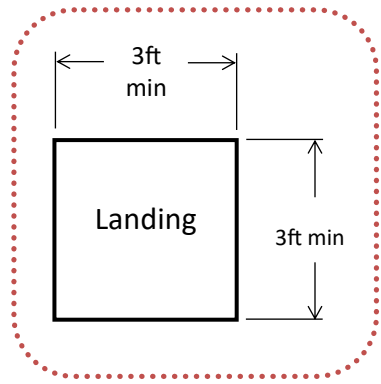
Intermediate rails

34" min. handrail height
38" max. handrail height



10" min. tread run

4" min. riser height
8" max. riser height



Every stairway with more than 3 risers or steps shall be equipped with handrails and intermediate rails. Handrails shall be no less than 34" nor more than 38" in height as measured vertically from the nosing of the stair tread.

NOTE: The stair shown in this drawing with a handrail on one side is for illustration purposes only. Stairways shall have either a barrier on one side or handrails on both sides.